

April 2006

## ASSEMBLY INSTRUCTIONS

MODEL NO.

90190

Folding Basket Cargo Carrier

**WEIGHT CAPACITY:**

Not to exceed 500 lbs. total weight of carrier and cargo.

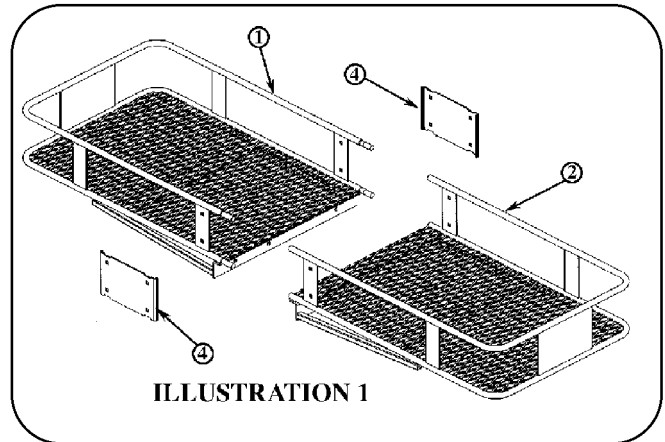
Use only in a 2" Class III receiver hitch with a minimum of 500 lb. tongue weight capacity.

### PARTS INCLUDE:

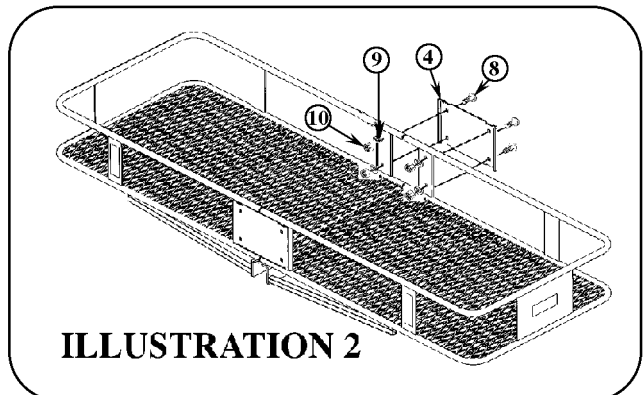
|                            |     |                              |     |
|----------------------------|-----|------------------------------|-----|
| 1. Left Basket Section     | (1) | 9. 5/16 Flatwasher           | (8) |
| 2. Right basket Section    | (1) | 10. 5/16-18 Nylon Locknut    | (8) |
| 3. Folding Shank           | (1) | 11. 5/8-11 x 3-1/2" Hex Bolt | (1) |
| 4. Connecting Plates       | (2) | 12. 5/8-11 Nylon Lock Nut    | (1) |
| 5. 3/8-16 x 3 Cge Bolts    | (3) | 13. 5/8 Flatwasher           | (1) |
| 6. 3/8 Flat Washers        | (3) | 14. 5/8 Lockwasher           | (1) |
| 7. 3/8-16 Nylon Locknut    | (3) | 15. Hitch Pin                | (1) |
| 8. 5/16-18 x 5/8 Cge Bolts | (8) | 16. Hair Pin                 | (1) |

1. Unpack all parts and check them against the Parts Include list above.

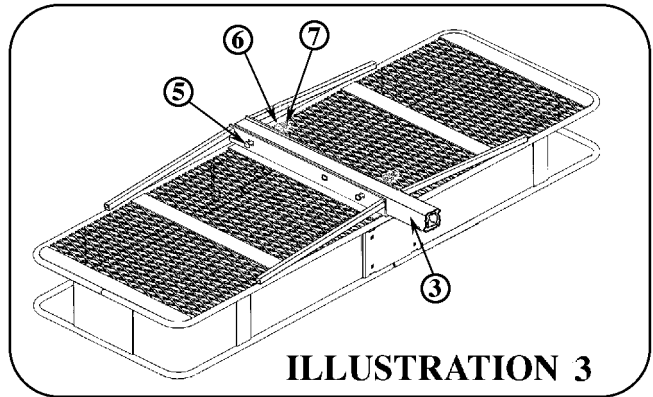
2. Place the two basket sections on clean smooth surface with open ends towards each other. Push the sections together so that the alignment pins of one section insert into the open tube ends of the other section. See Illustration 1.



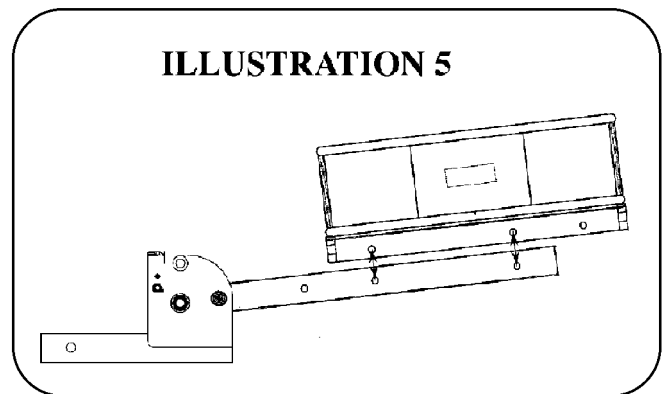
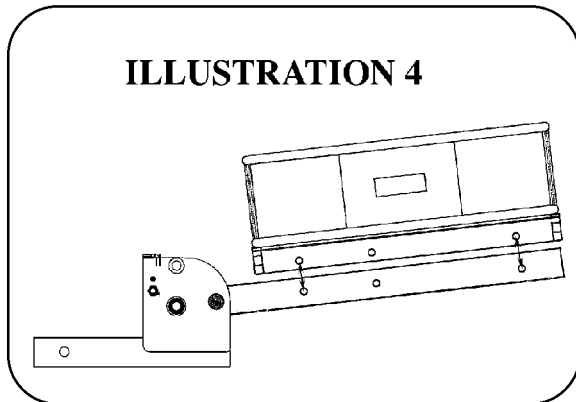
3. Place the connection plates against the front and rear center surface of the carrier and and bolt section together with the 5/16 carriage bolts #8, 5/16 flatwashers #9 and 5/16 nylon locknuts #10. See Illustration 2. Do not tighten these fasteners at this time.



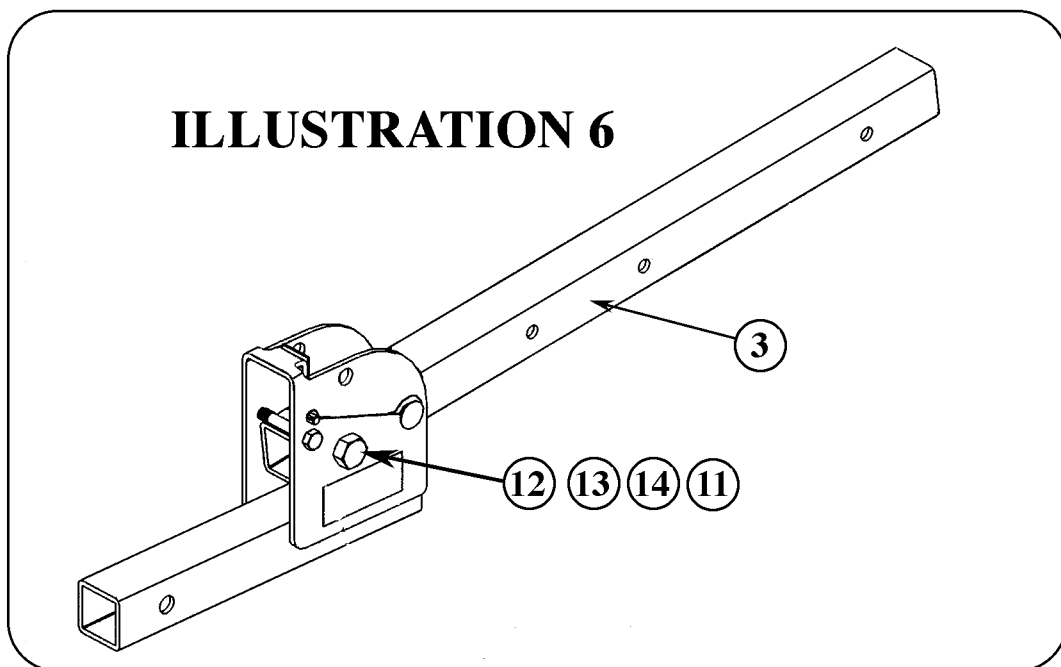
4. Place the carrier shank #3 into the channel at the center of the carrier and bolt in place with the 3/8 carriage bolts #5, 3/8 flatwashers #6, and 3/8 nylon locknuts #7. See Illustrations 3.



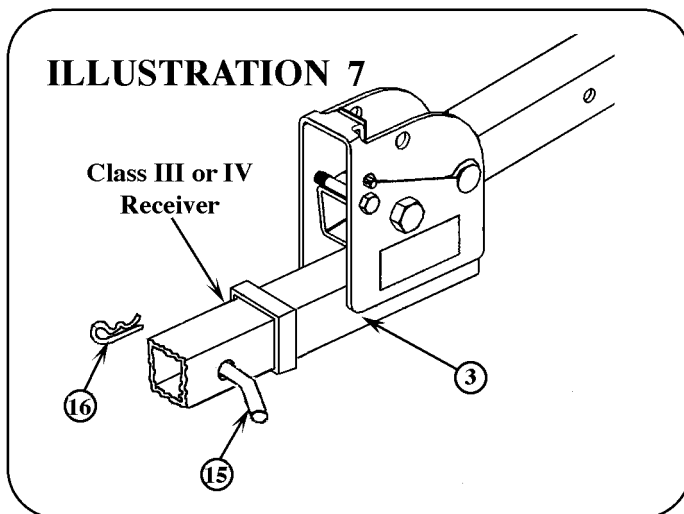
**NOTE:** There are optional attachment holes in the shank which can be used to move the cargo carrier farther out and away from the back of the vehicle. See Illustration 4 and 5.



5. Tighten the 3/8 bolts to 30 ft. lbs. torque and the 5/16 bolts to 20 ft. lbs. torque. Do not overtighten bolts. Failure to tighten bolts as described may result in loss or failure of bolts.



6. Insert the folding shank #3 into a Class III or Class IV receiver. Secure with a 5/8" hitch pin #15 and hair pin #16. See Illustration 7 below.

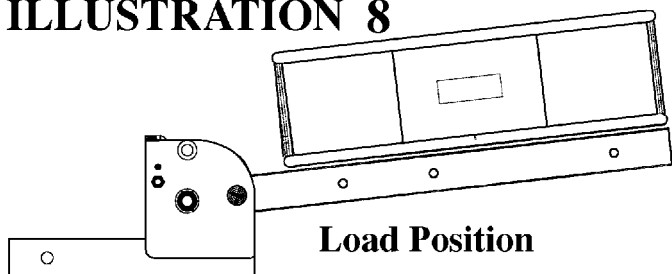


**WARNINGS**



- \*Do not stack cargo to a height that obstructs view of vehicle tail lights.
- \*Distribute weight evenly on platform of basket.
- \*Do not carry loads wider or deeper than the size of the basket (60" x 20").
- \*Not intended for transporting humans or animals.
- \*Do not carry flammable items.

**ILLUSTRATION 8**



**ILLUSTRATION 9**

