

INSTALLATION INSTRUCTIONS

Rev. 2

MODEL NO. 88061

Hardware Kit #112605

APPLICATION:

2007-Current Mazda CX-9

WARNING

Although this hitch is designed to safely tow its rated load, we recommend that you consult your vehicle owner's manual for possible manufacturer's recommendations or limitations. Always follow the manufacturer's installation instructions and always install on the specified vehicle. Before installing hitch, check that the attachment points are in good condition.

Failure to follow these guidelines will void warranty. Any modifications to this hitch will void warranty.

CLASS III

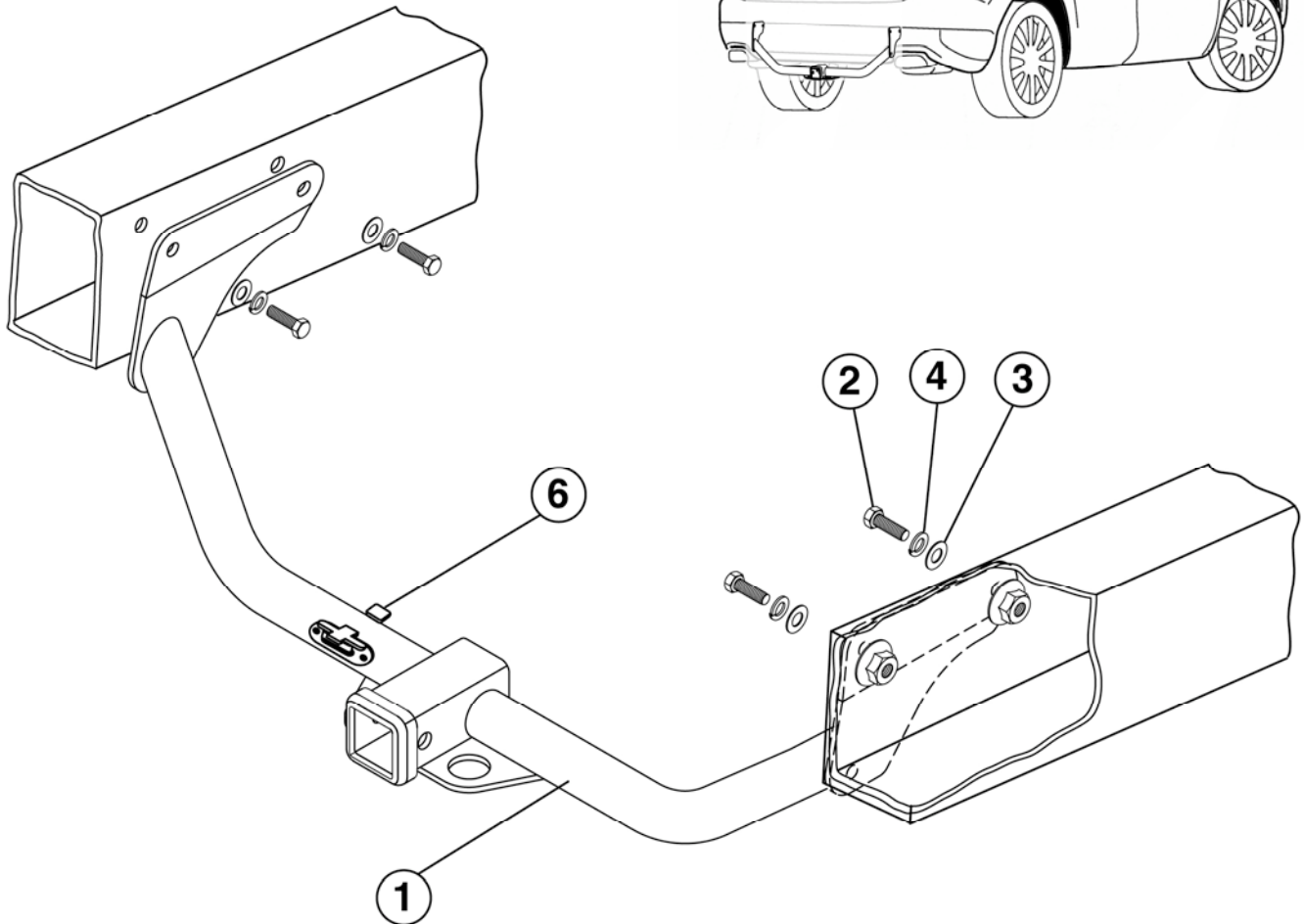
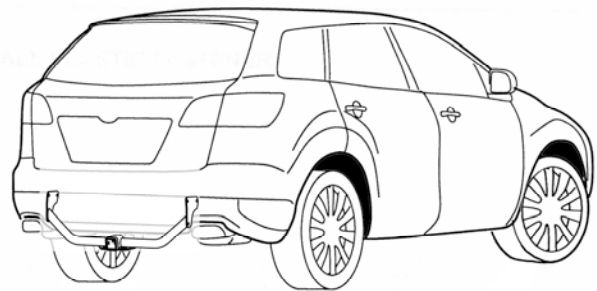
WEIGHT CARRYING HITCH CAPACITY

**4,000 LBS. MAXIMUM TRAILER WEIGHT
400 LBS. MAXIMUM TONGUE WEIGHT**

Trailer brakes are recommended for towing loads in excess of 1500 lbs.

COMPLETE PARTS LIST

<i>Part</i>	<i>Description</i>	<i>Quantity</i>
1.	806111 Receiver Assembly	(1)
<i>HARDWARE KIT #112605</i>		
2.	373202 12mm - 1.25 x 40 Hex Bolt	(4)
3.	188803 1/2" Flatwasher	(4)
4.	188003 1/2" Lockwasher	(4)
5.	112606 Instruction Sheet	(1)
<i>T CONNECTOR</i>		
6.	30002030 T Connector Assembly	(1)



1. **Read instructions thoroughly before beginning.**
2. Open the vehicle's rear hatch and remove the plastic threshold cover, floor coverings, cargo trays, and access panels. Remove the cargo tie down hardware and pull out slightly on the left and right side interior trim panels.
3. Locate the vehicle's tail light wiring harness behind the interior trim panels on each side. The harness will have connectors similar to those on the Hitch Wiring Harness (Fig. 1).
4. Beginning on the Right (passenger's) side, separate the vehicle harness connectors by pressing on the locking tab and carefully pulling apart. Insert the Hitch Wiring Harness ends with the Green and Red wires into the separated vehicle harness connectors. Press firmly together to ensure the locking tabs engage.
5. Route the Hitch Wiring Harness ends containing the Yellow and Brown wires below the threshold to the left (driver's) side. Place between separated vehicle harness connectors. Press firmly together to ensure the locking tabs engage.
6. Locate the black rubber grommet (Fig. 2) near the floor on the left side of the vehicle jack.



Fig. 1



Fig. 2

For vehicles equipped with the Advanced Keyless Entry System Follow steps 7-23

7. For vehicles equipped with advanced keyless entry system, the antenna's wire harness passes through this grommet and will need temporarily unplugged. The sensor wire connector will protrude from the grommet under the vehicle (Fig 3).
8. Separate the connector by pressing on the locking tab and pulling apart.
9. Remove the sensor wire clip from the body using a plastic panel removal tool.
10. Pull out and remove the grommet from the inside of the vehicle.
11. Using a china marker, mark the location of the grommet on the sensor wire for later re-installation.
12. Remove the grommet by cutting the grommet away from the sensor wire.
Caution: Take care not to cut or damage the sensor wire when cutting the grommet away from wire.
13. Discard the original Grommet.
14. Using a China marker, mark the location of the mounting clip on the sensor wire for later installation.
15. Carefully remove the tape securing the mounting clip to the sensor wire. Save the clip for later use.
16. Using soapy water, carefully feed the sensor wire connector through the new grommet located on the Hitch Wiring Harness.
17. Pull the sensor wire through the grommet positioning the grommet in the original location marked during step 8.
18. Reattach the wire mounting clips to their original position on the sensor wire, as marked during step 11 with electrical tape.
19. Before securing the grommet into position, use the provided Black 12ga. wire, route the Hitch Wiring Harness end up from under the vehicle and through the hole then through the grommet leaving about 3ft inside.
20. Secure the new grommet to the wiring harness with electrical tape.
21. Route the sensor wire and Wiring Harness back through the hole and push the grommet into location until it seats completely.
22. Reconnect the connector to the advanced keyless entry system antenna making sure that the connector is firmly seated in with the locking tabs fully engaged.
23. Reattach the advanced keyless system wire to the body with the wire mounting clip. Continue with step 28.



Fig. 3

Vehicle's not equipped with the Advanced Keyless Entry System follow steps 24-27.

24. Remove vehicle grommet and feed Hitch Wiring Harness through the hole located beside the vehicle jack.
25. Before securing the grommet into position, use the provided Black 12ga. wire, route the Hitch Wiring Harness end up from under the vehicle and through the hole then through the grommet leaving about 3ft inside.
26. Secure the grommet to the wiring harness with electrical tape.
27. Press grommet into hole until properly seated.

All vehicles Continue Steps 28-39

28. From inside the trunk strip 5/16" of insulation from the black wire, routed in step 3. Connect to the Black wire on the Hitch Wiring Harness' black box using the butt connector provided.
29. To the right (passenger's) side of the vehicle jack, mount the Hitch Wiring Harness' black box on the floor of the trunk using the foam tape provided. Ensure proper clearance for all trim panels, liners and threshold prior to securing into place.
30. Locate a clean accessible mounting location on the vehicle near the Hitch Wiring Harness' black box within reach of the white wire and grounding eyelet. Drill a 7/64" hole.

Caution: Take care not to drill through the body or any exposed surface.

31. Mount the white wire using the ground screw and eyelet provided.
32. Locate the Black 12ga. wire routed underneath the vehicle during step 3. Following existing vehicle wiring, continue routing the Black wire into the engine compartment to the vehicle battery.

Caution: When routing, take care to avoid hot pipes, heat shields, the fuel tank and any sharp surfaces or moving parts

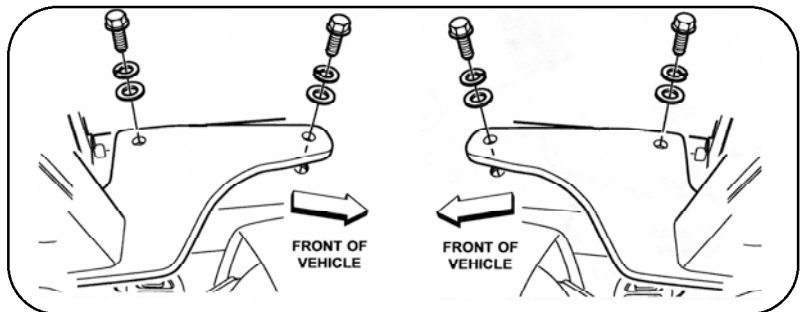
33. Remove the vehicle's negative (-) battery cable. If present, remove the 7.5 amp fuse from the supplied in-line fuse holder assembly.
34. Strip 5/16" of insulation from the end of the Black wire and connect it to the fuse holder assembly using the butt connector provided.
35. With the fuse removed, connect the 3/8" ring terminal on the end of the fuse holder to the vehicle's Positive (+) battery terminal.
36. Reconnect the vehicle's Negative (-) battery terminal and insert the 7.5 amp fuse into the fuse holder installed in step 33.

Caution: Do not use exceed fuse rating of 7.5 amps.

Warning: Do not attempt to connect the Black power wire to the vehicle fuse panel or any other accessory wiring. Failure to connect directly to the vehicle battery could cause vehicle damage and/or trailer light failure.

HITCH INSTALLATION

1. Remove the rubber muffler supports from the attachments rods at each end of the muffler. This will allow the muffler to drop down and allow clearance to install the hitch
2. Position hitch assembly up against side of each frame and bolt in place with the Hex bolts #2, Lockwashers #4, and Flatwashers #3, supplied with kit. Thread these bolts into the existing weld nuts in the frame.



3. Tighten the Hex bolts to 75 ft. lbs. torque. Failure to tighten bolts as described may result in fastener loss or failure.
4. Re-attach the rubber muffler hangers to the support rods.
5. Plug the remaining connector of the installed harness into the mating connector on the inward side of the hitch once installed. Press the connectors firmly together, ensuring that the locking tabs engage.
6. Confirm correct operation of the 4-Flat connector by using a test light or a properly equipped trailer.
7. Secure any loose wires under the vehicle using cable ties. Return the tail light assembly, trim panel, cargo cover, cargo net and threshold to their original positions

WARNING: Use only a 5/8" diameter hitch pin with locking device to secure a ball mount in this receiver.

WARNING: Be sure to check the hitch pin and hair pin for positive locking placement before towing trailer.

NOTE: Some states require a clear view of license plates. Remove trailer ball and/or ball mount when not in use if it restricts view.

For information regarding the installation of this product, go to: www.towingsupport.com
or Email us at: tech@towingsupport.com or Call our Technical Support Team at: 1-800-344-3230

This product complies with regulation V-5, C.S.A Standard D-264 and safety requirements for connecting devices
and towing systems of the State of New York