

INSTALLATION INSTRUCTIONS

Rev. 1

MODEL NO. 88053

Hardware Kit #112320

APPLICATION:

2007-08 Honda CR-V

WARNING

Although this hitch is designed to safely tow its rated load, we recommend that you consult your vehicle owner's manual for possible manufacturer's recommendations or limitations. Always follow the manufacturer's installation instructions and always install on the specified vehicle. Before installing hitch, check that the attachment points are in good condition.

Failure to follow these guidelines will void warranty. Any modifications to this hitch will void warranty.

CLASS III

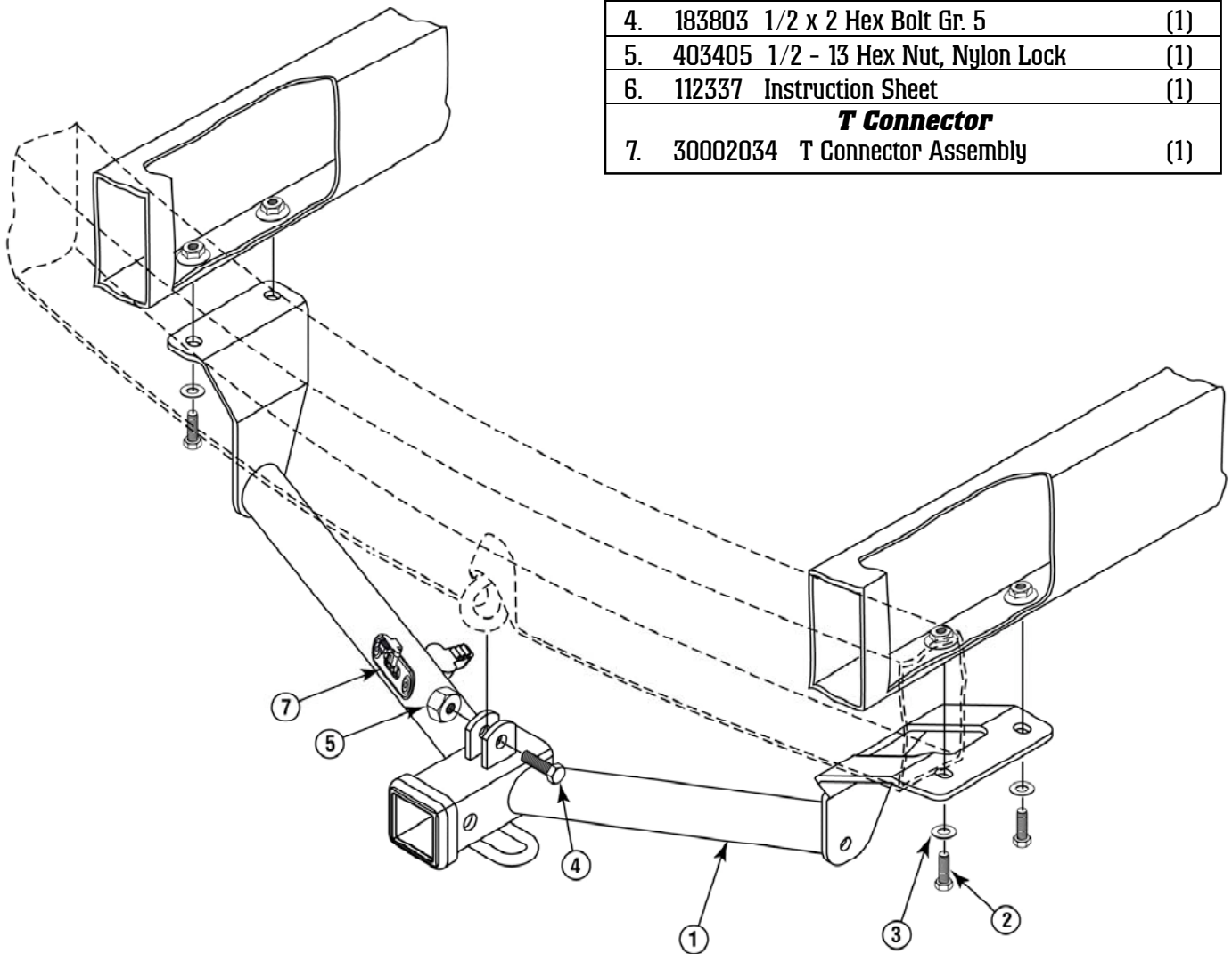
WEIGHT CARRYING HITCH CAPACITY

**4,000 LBS. MAXIMUM TRAILER WEIGHT
400 LBS. MAXIMUM TONGUE WEIGHT**

Trailer brakes are recommended for
towing loads in excess of 1500 lbs.

COMPLETE PARTS LIST

Part	Description	Quantity
1.	905311 Receiver Assembly	(1)
<i>HARDWARE KIT #112320</i>		
2.	189203 M10-1.25 x 35 Hex Bolt Cl. 8.8	(4)
3.	230007 3/8 Conical Washer	(4)
4.	183803 1/2 x 2 Hex Bolt Gr. 5	(1)
5.	403405 1/2 - 13 Hex Nut, Nylon Lock	(1)
6.	112337 Instruction Sheet	(1)
<i>T Connector</i>		
7.	30002034 T Connector Assembly	(1)



1. **Read instructions thoroughly before beginning.**

2. Open the rear hatch of the vehicle and remove the rear threshold, cargo net and cargo cover (Fig. 1A).

3. Remove the vehicles left (driver's) side tail light assembly.

4. Route the hitch wiring harness end with the White connector up through the tail light opening from underneath the vehicle and through the taillight grommet into the area behind the left (drivers) side interior trim panel (Fig. 1B).

5. Carefully pull back the left (driver's) side interior trim panel.

6. Locate the vehicle's trailer wiring connector behind the trim panel. This will be a white connector similar to that found on the hitch wiring harness (Fig. 2).

7. Ensure that the vehicle connector is clean and free of dirt. Plug the hitch wiring harness end into the vehicle connector, ensuring that the locking tabs engage.

8. Locate a clean accessible mounting location on the vehicle near the hitch wiring harness' black box within reach of the white wire and grounding eyelet. Drill a 7/64" hole.

Caution: Take care not to drill through the body or any exposed surface.

9. Mount the harnesses White wire using the ground screw and eyelet provided.

10. Mount the hitch wiring harness' black box under the vehicle using foam tape, a screw or the cable tie provided.

Caution: Take care when mounting to avoid potentially hot or sharp surfaces that would damage the harness wiring or the black box.

11. Return the trim panel, cargo cover, cargo net and threshold to their original positions.

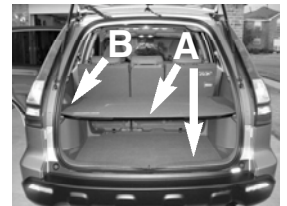


Fig. 1

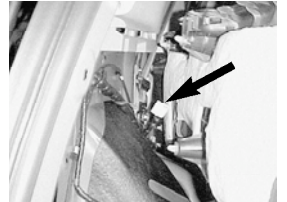


Fig. 2

Hitch Installation

1. Detach rubber muffler hanger from muffler hook. This will allow the muffler to drop down and allow clearance for the hitch installation. The muffler will go back up in the original location after hitch is installed.

2. Lower the muffler enough to allow hitch assembly to fit up to mounting points on vehicle frame.

3. Attach hitch assembly frame brackets to existing weldnuts in vehicle frame using M10-1.25 x 35 Hex Bolt Cl. 8.8 #2 and 3/8 Conical Washer #3 supplied in hardware kit.

4. Attach hitch assembly yoke center to tow loop using 1/2 x 2 Hex Bolt #4 and 1/2 - 13 Hex Nut, Nylon Lock #5 supplied in hardware kit.

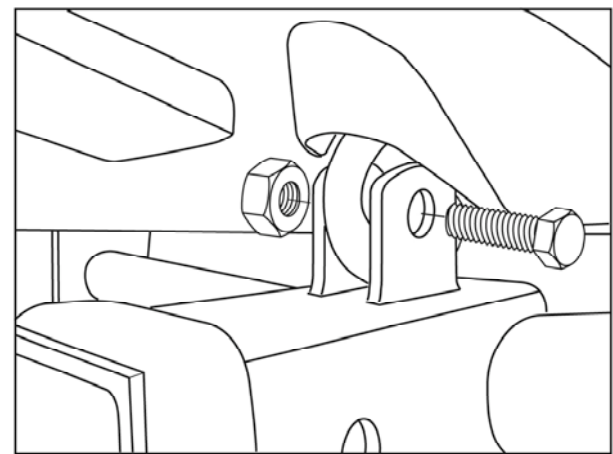
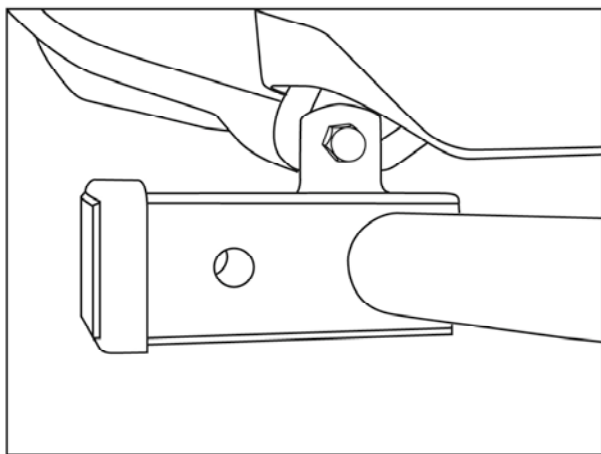
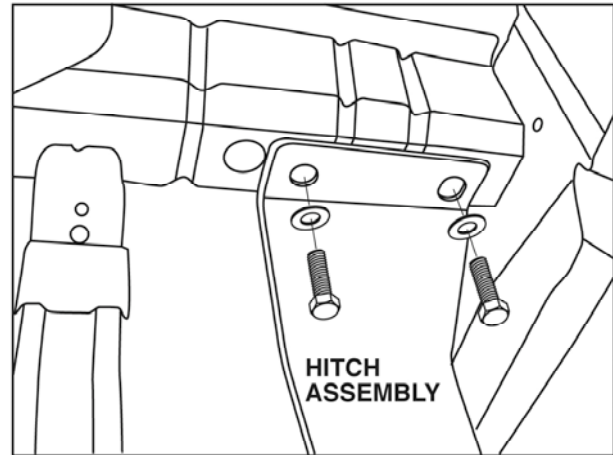
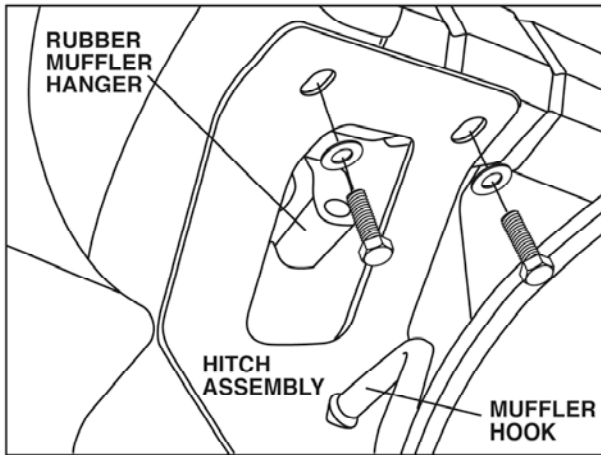
5. Tighten the M10-1.25 x 35 Hex Bolt Cl. 8.8 #2 to 39 ft. lbs. torque. Tighten the 1/2 x 2 Hex Bolt #4 to 75 ft. lbs. torque. Failure to tighten bolts as described may result in fastener loss or failure.

6. Re-install the muffler by hanging the muffler hook back onto the rubber hanger.

7. Plug the remaining connector of the installed harness into the mating connector on the inward side of the hitch once installed. Press the connectors firmly together, ensuring that the locking tabs engage.

8. Confirm correct operation of the 4-Flat connector by using a test light or a properly equipped trailer.

9. Secure any loose wires under the vehicle using cable ties. Return the tail light assembly, trim panel, cargo cover, cargo net and threshold to their original positions



WARNING: Use only a 5/8" diameter hitch pin with locking device to secure a ball mount in this receiver.

WARNING: Be sure to check the hitch pin and hair pin for positive locking placement before towing trailer.

NOTE: Some states require a clear view of license plates. Remove trailer ball and/or ball mount when not in use if it restricts view.

For information regarding the installation of this product, go to: www.towingsupport.com
or Email us at: tech@towingsupport.com or Call our Technical Support Team at: 1-800-344-3230

This product complies with regulation V-5, C.S.A Standard D-264 and safety requirements for connecting devices
and towing systems of the State of New York