

INSTALLATION INSTRUCTIONS**MODEL NO. 88042**

Hardware Kit #112457

APPLICATION:**2004-Current Toyota Sienna Van**

WARNING: Although this hitch is designed to safely tow its rated load, we recommend that you consult your vehicle owner's manual for possible manufacturer's recommendations or limitations. Trailer brakes are recommended for towing loads in excess of 1500 lbs. Always follow the manufacturer's installation instructions and always install on the specified vehicle. Before installing hitch, check that the attachment points are in good condition.

Failure to follow these guidelines will void warranty. Any modifications to this hitch will void warranty.

NOTE: Some states require a clear view of license plates. Remove trailer ball and/or ball mount when not in use if it restricts view.

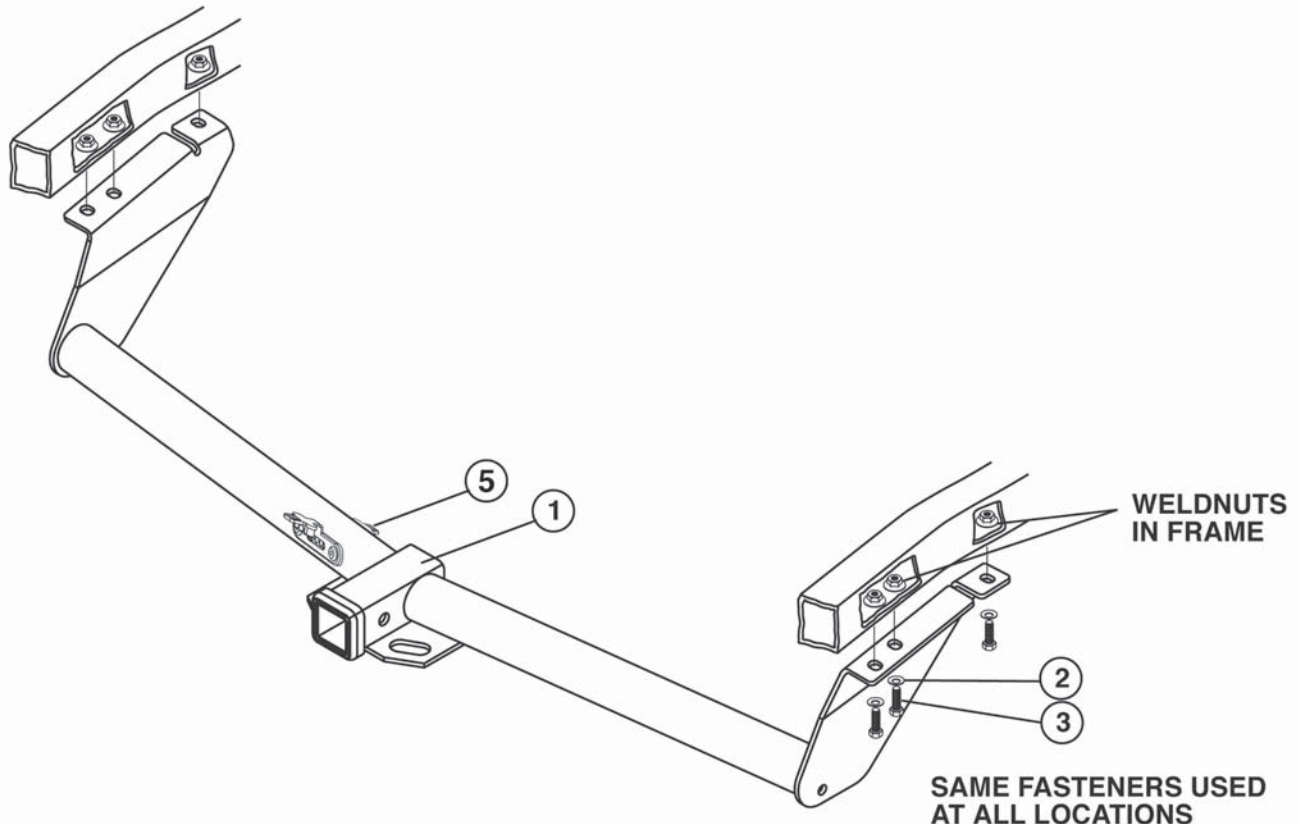
COMPLETE PARTS LIST			
Item	Part #	Description	Quantity
1.	802411	Receiver Assembly	1
Hardware Kit #112457			
2.	373005	1/2" Conical Washer	6
3.	114804	12mm x 1.25 x 35mm Hex Bolt	6
4.	112458	I-Sheet	1
T-Connector			
5.	30002027	T-Connector Assembly	1

**WEIGHT CARRYING HITCH CAPACITY**

3,500 LBS. MAXIMUM TRAILER WEIGHT
350 LBS. MAXIMUM TONGUE WEIGHT

WEIGHT DISTRIBUTING HITCH CAPACITY

5,000 LBS. MAXIMUM TRAILER WEIGHT
500 LBS. MAXIMUM TONGUE WEIGHT



For information regarding the installation of this product, go to: www.towingsupport.com
or Email us at: tech@towingsupport.com or Call our Technical Support Team at: 1-800-344-3230

This product complies with regulation V-5, C.S.A Standard D-264 and safety requirements for connecting devices and towing systems of the State of New York

T-Connector Installation

Read instructions thoroughly before beginning.

1. Raise the rear hatch door and remove the tail light housings from each side of the rear of the vehicle.
2. Beginning with the left (drivers) side tail light assembly, remove the gray wiring harness connector from the back of the housing by squeezing the locking tabs. Inspect the connector for dirt & debris and clean if necessary (Fig. 1).

Caution: Take care not to damage the locking tabs.

3. Plug the harness ends containing the yellow wires into the tail light housing and separated connector from step 3. Press firmly, ensuring the locking tabs engage.
4. Route the harness ends with the green wire across the top of the bumper to the right (passenger) side of the vehicle.
5. Repeat steps 3 & 4 for the right side using the connectors with the green wires.
6. Locate a clean accessible mounting location on the vehicle near the wiring harness ends within reach of the white wire and grounding eyelet and drill a 3/32" hole. Caution: Take care not to drill through the body or any exposed surface.
7. Mount the White wire using the ground screw and eyelet provided.
8. Push the 4-flat trailer connector down through the left (driver's) side tail light housing and out under the vehicle.

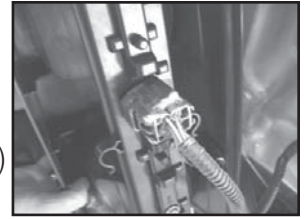


Fig. 1

Hitch Installation

1. Position hitch assembly up against the bottom of vehicle side frame in line with the three existing weldnuts in bottom of frame.
2. Bolt hitch assembly in place with 12mm bolts supplied in kit. Removing the tailpipe from its support bracket may make installing fasteners on right side easier.
3. Tighten all 12mm bolts to 75 ft. lbs. torque. Failure to tighten bolts as described may result in fastener loss or failure.
4. Plug the remaining connector of the installed harness T-Connector #5 into the mating connector on the inward side of the hitch once installed. Press the connectors firmly together, ensuring that the locking tabs engage.
5. Re-install the tail light housings to their original positions, taking care not to pinch or damage any wires.
6. Confirm correct operation of the 4-Flat connector by using a test light or a properly equipped trailer.
7. Secure any loose wires under the vehicle using cable ties.

WARNING: Use only a 5/8" diameter hitch pin with locking device to secure a ball mount in this receiver.

WARNING: Be sure to check the hitch pin and hair pin for positive locking placement before towing trailer.

NOTE: Some states require a clear view of license plates. Remove trailer ball and/or ball mount when not in use if it restricts view.

**For information regarding the installation of this product, go to: www.towingsupport.com
or Email us at: tech@towingsupport.com or Call our Technical Support Team at: 1-800-344-3230**

**This product complies with regulation V-5, C.S.A Standard D-264 and safety requirements for connecting devices
and towing systems of the State of New York**