

INSTALLATION INSTRUCTIONS

Rev. 1

MODEL NO. 75300

Hardware Kit #113187

APPLICATION: Universal RV Bumper Hitch (fits 4", 4-1/2" & 5" bumpers, top or bottom mounted)

WARNING: Although this hitch is designed to safely tow its rated load, we recommend that you consult your vehicle owner's manual for possible manufacturer's recommendations or limitations. Trailer brakes are recommended for towing loads in excess of 1500 lbs. Always follow the manufacturer's installation instructions. Before using hitch, check that the hitch and attachment points are tight and in good condition.

Failure to follow these guidelines will void warranty. Any modifications to this hitch will void warranty.

WARNING: Use only a 5/8" diameter hitch pin with locking device to secure a ball mount in this receiver. Be sure to check the hitch pin and hair pin for positive locking placement before towing trailer.

WARNING: Not recommended for towing while mounted on a travel trailer, consult your trailers manufacture for proper loading conditions.

WARNING: The rating for using the universal RV bumper hitch on top of the bumper is Class II 350/3500 lbs.

NOTE: Some states require a clear view of license plates. Remove trailer ball and/or ball mount when not in use if it restricts view.

COMPLETE PARTS LIST

Item	Part #	Description	Quantity
1.	753011	Receiver Assembly	1
2.	113174	U-Bolt	2
HARDWARE KIT #113187			
3.	2515-03	1/2-13 Hex Lock Nut	4
4.	3730-05	1/2" Conical Toothed Washer Type H	4
5.	113188	Instruction Sheet	1

CLASS III

WEIGHT CARRYING HITCH CAPACITY

5,000 LBS. MAXIMUM TRAILER WEIGHT
500 LBS. MAXIMUM TONGUE WEIGHT

- Determine whether the hitch should be mounted on top of the bumper or below the bumper.
- Before drilling, check for obstruction inside bumper. Measure 1" in from the outside surface of bumper. Drill 1/2" diameter hole in center of bumper either on top of bumper or below bumper. See illustration 1.
- Place hitch on bumper, either on top of bumper or below bumper. Make sure dowel on hitch is inserted into previously drilled hole. See illustration 2.
- Bolt hitch in place using U-Bolts #2, 1/2" Conical Toothed Washers #4 and 1/2-13 Hex Lock Nuts #3. Use proper mounting holes depending on size of bumper. See illustration 3 for proper bumper mounting holes.
- Tighten all 1/2" bolts to 75 ft. lbs. torque. Failure to tighten bolts as described may result in fastener loss or failure.
- Refer to the weight capacity rating of the bumper and the rating of the hitch assembly. Use whichever rating is less. Do not use any type of weight distributing hitch with this receiver.

WARNING: Discontinue use of this hitch if bumper begins to sag in any way.

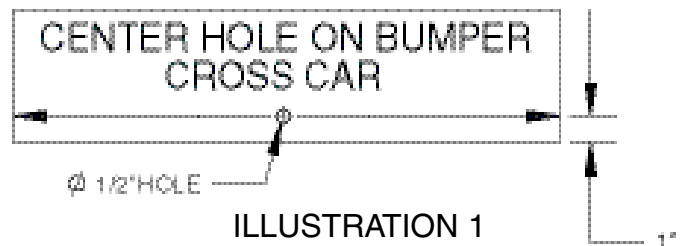
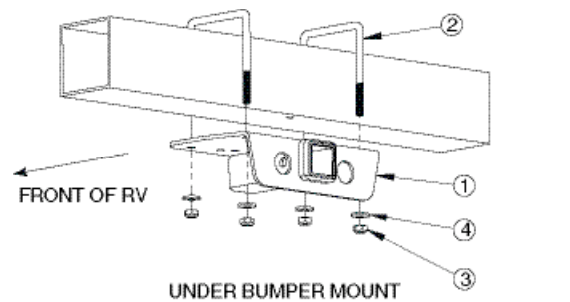
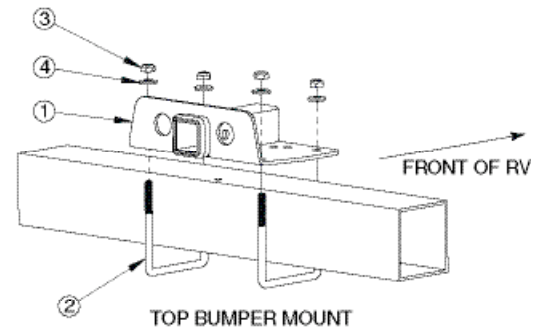


ILLUSTRATION 1

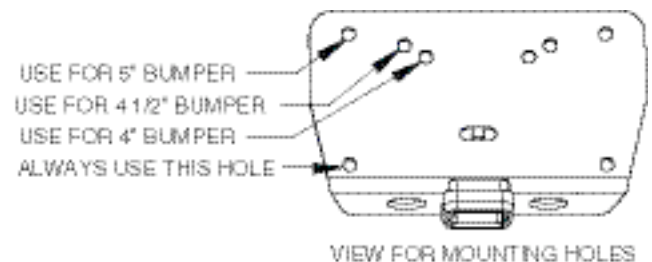


UNDER BUMPER MOUNT



TOP BUMPER MOUNT

ILLUSTRATION 2



VIEW FOR MOUNTING HOLES

ILLUSTRATION 3

For information regarding the installation of this product, go to: www.towingsupport.com
or Email us at: tech@towingsupport.com or Call our Technical Support Team at: 1-800-344-3230

This product complies with regulation V-5, C.S.A Standard D-264 and safety requirements for connecting devices
and towing systems of the State of New York